

MTA
INTERNATIONAL

Quality Innovation
Reliability Experience

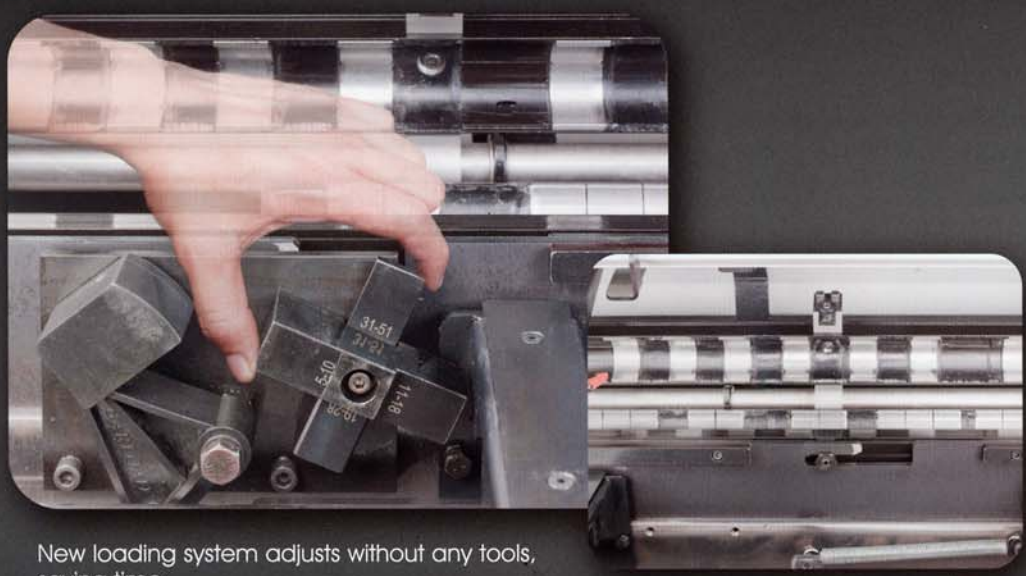
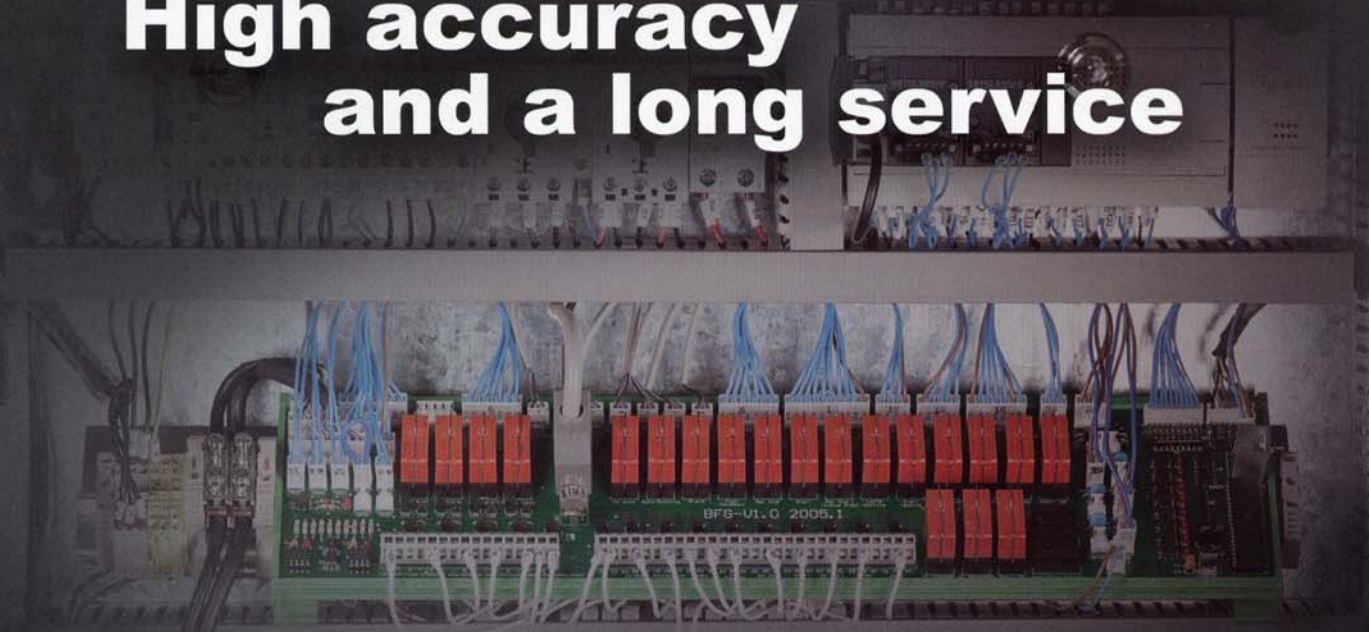


HYDRODYNAMIC BAR FEEDER

TRACER 51



High accuracy and a long service



New loading system adjusts without any tools, saving time.



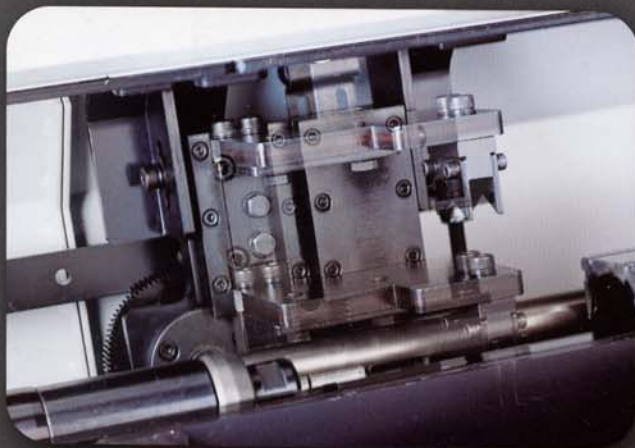
New customized display, more easy to operate and troubleshooting.

Guide channel locked during machining prevent vibration.

- Heavy gauge structural steel ensures rigidity and long term durability.
- Mitsubishi PLC and servo drive, featuring excellent stability and accuracy.
- Hydrodynamic design features maximum wear resistance resulting high RPM and reduced noise.
- High performance bar exchange time.
- Bar stock diameter adjustment without any tools.



Multi-functional,
provides

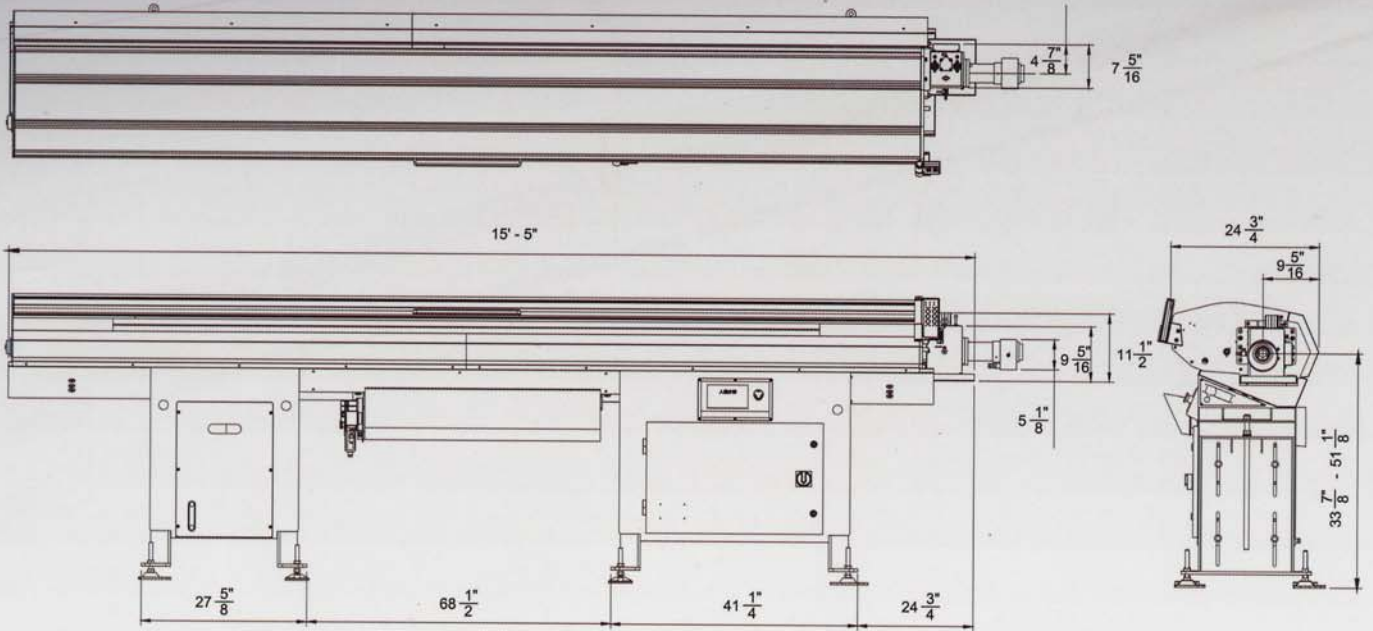


Self adjusting clamping device, providing stability and maximum convenience.



Simple adjusting "V" type anti-vibration device, no changeover required.

TRACER



MODEL	TRACER 51
SPECIFICATIONS	12' BARS
GUIDE CHANNEL	17 / 21 / 27 / 33 / 37 / 43 / 46 / 52 mm
BAR DIAMETER	5/16" - 2" (MAX.2" WITH TURN DOWN END)
BAR CAPACITY	.375" / 26 pcs
BAR LENGTH	12'
MACHINE WEIGHT	2866lbs
AIR PRESSURE	70psi
TRANSMISSION	SERVO MOTOR
POWER SUPPLY	3 × 220V / 440V 50/60Hz

Check our website for more details *Web Site: www.barfeeder.com*

MTA INTERNATIONAL

11675 Chesterdale Rd
Cincinnati, OH 45246
U.S.A

TEL: +1 513-772-4004 1-800-305-0760
FAX: +1 513-772-4115 www.barfeeder.com

Agent



All Rights Reserved.