

MTA

INTERNATIONAL

V-65E V-65LE

SHORT BAR FEEDER



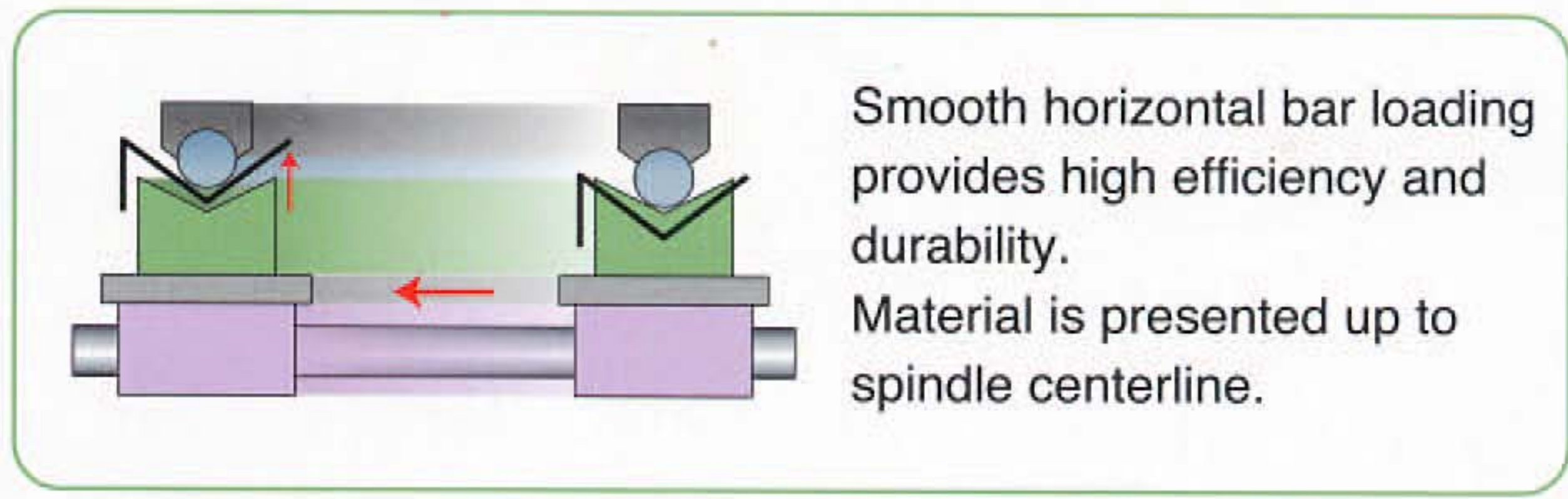
High loading speed

Special development of design

MTA INTERNATIONAL INC.

MTA

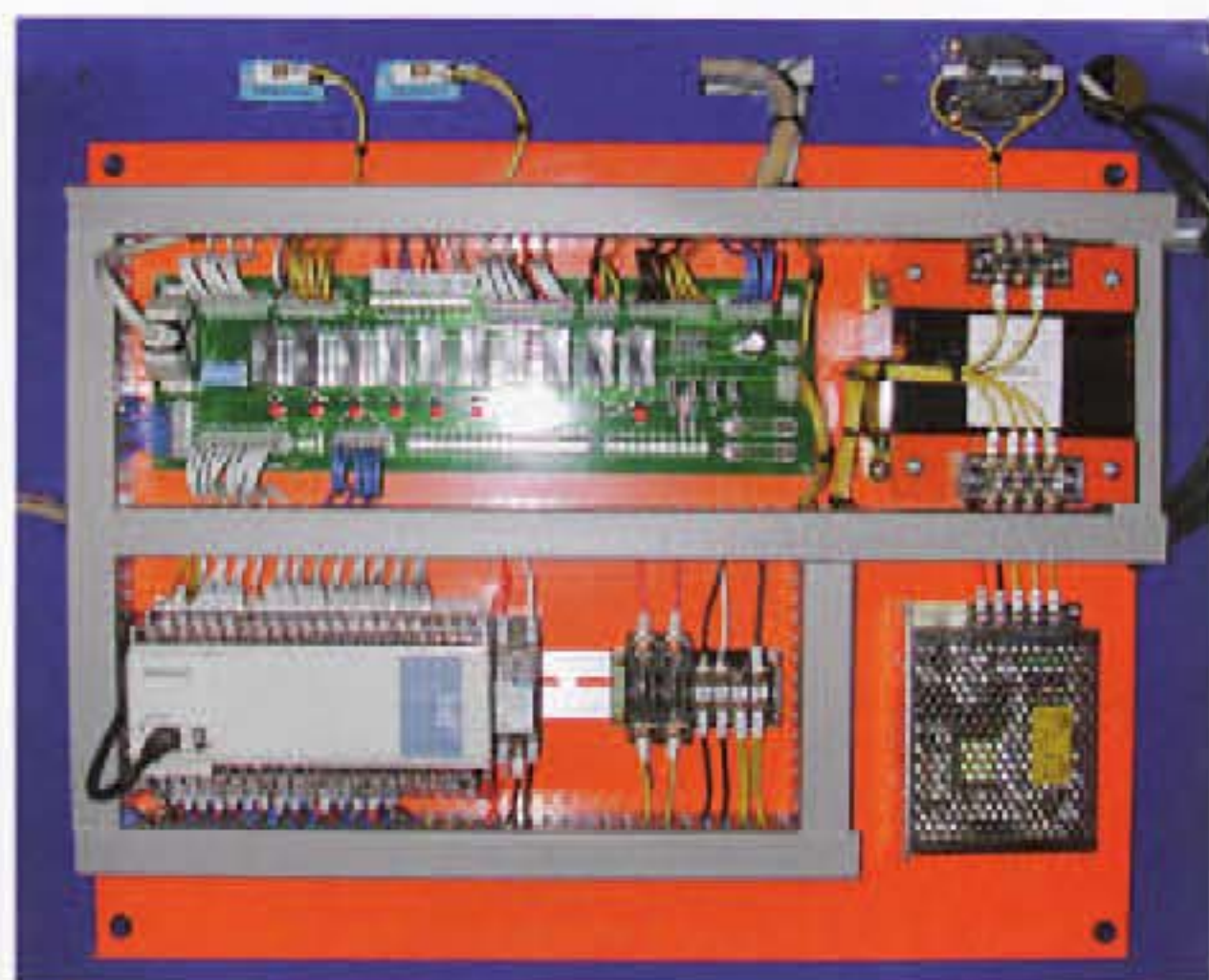
V-65E V-65LE



Loaded material impacts and rests on urethane Bumpers positioned above V channel



Quick, accurate adjustment of centerline height between bar diameters. Dual scale measurement.



Easily accessible electrical component system. Run by Mitsubishi PLC controller.

Force adjustment for pre-feed & pusher

Double guide rod "Sliding Rail" system



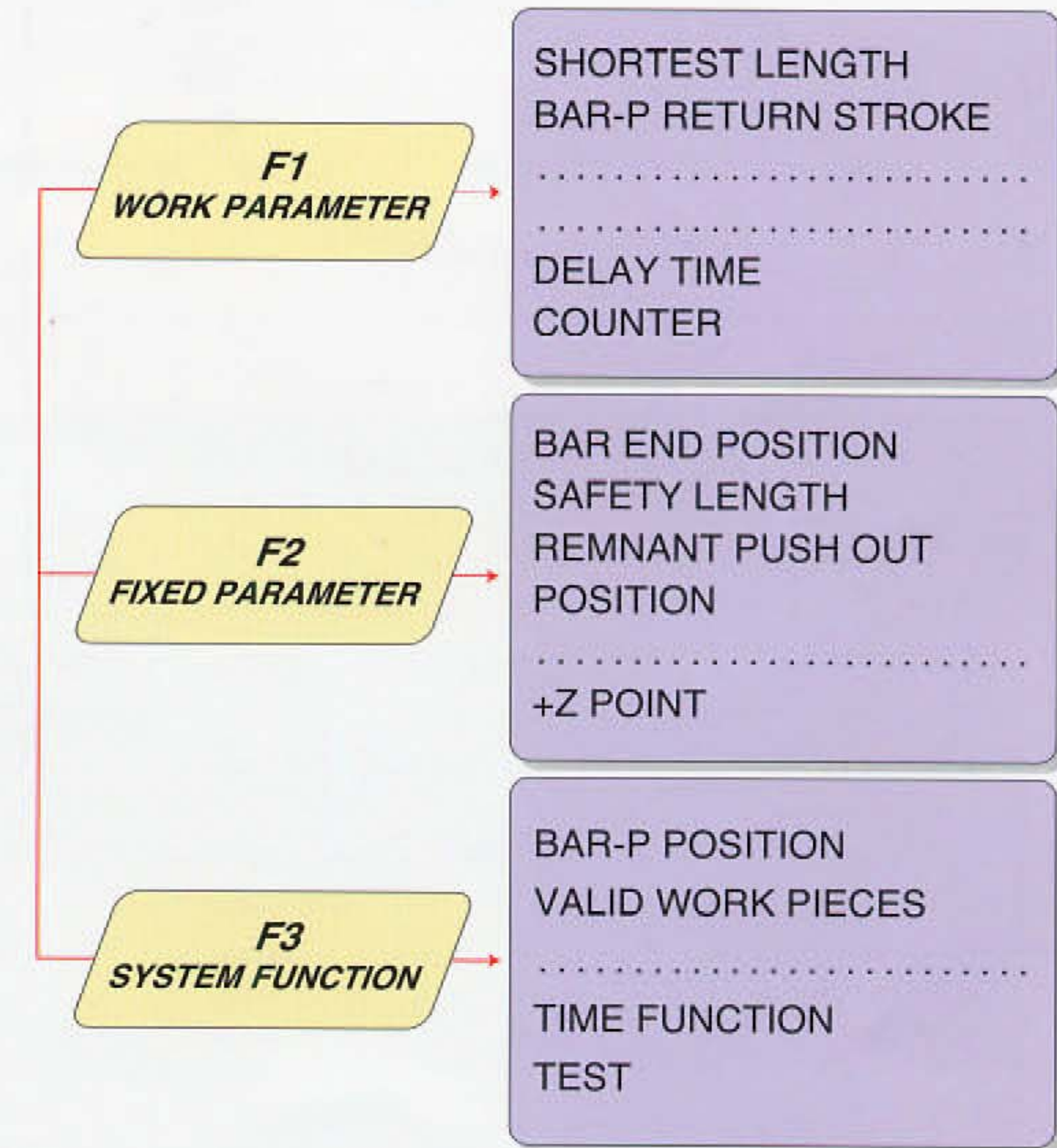
DIGITAL OPERATION

- ◆ Employs Mitsubishi PLC controller
- ◆ Touch screen digital interface with LCD display
- ◆ Adjustable faceplate conforms to operator use
- ◆ Various settings of function and parameters(see below)
- ◆ Alarm display for troubleshooting problems(see below)



Remote control pendant provides control and adjustment of V-65 to operator while at lathe control

MAIN MENU



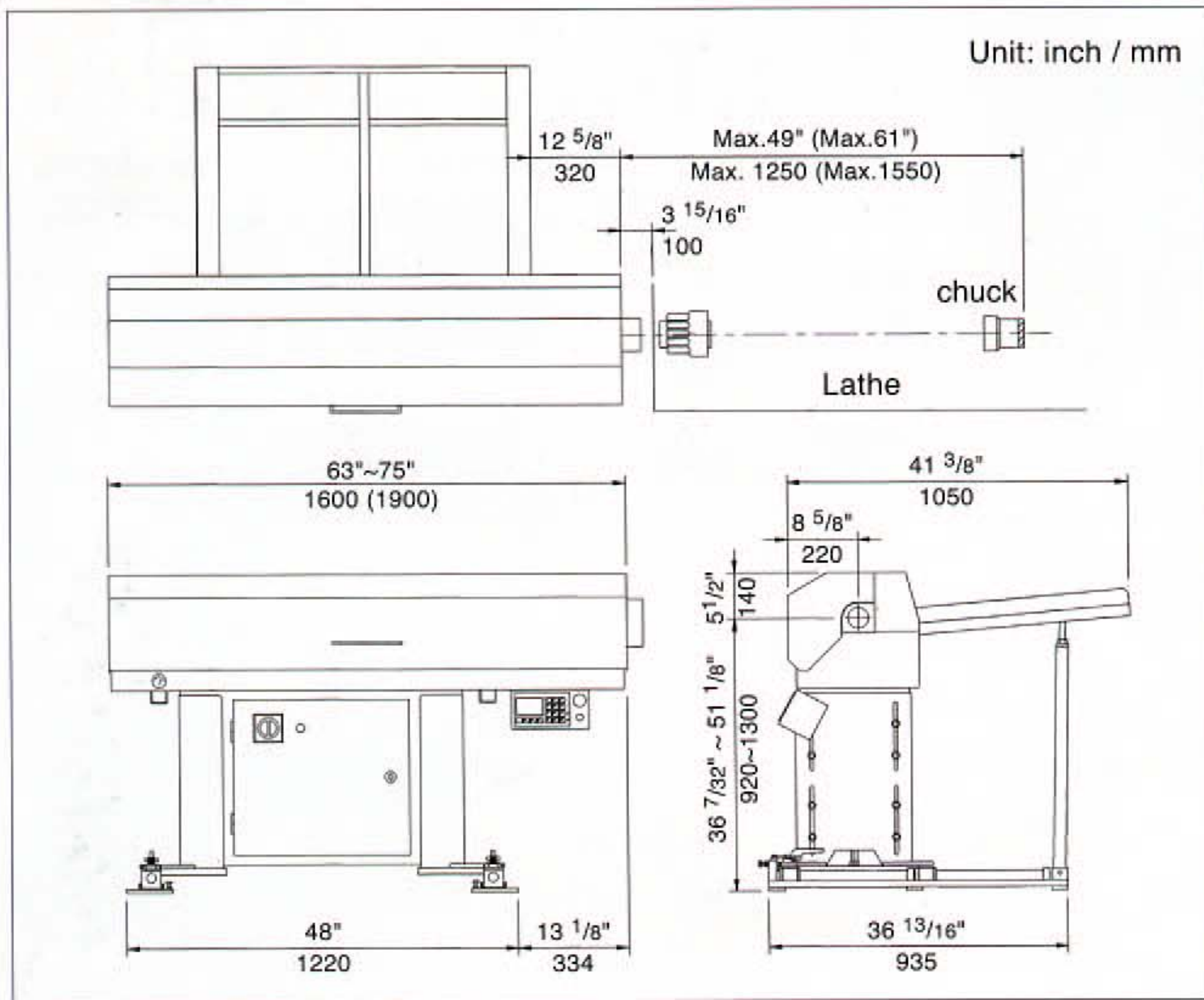
Rotary encoder

High loading speed
Special development of design

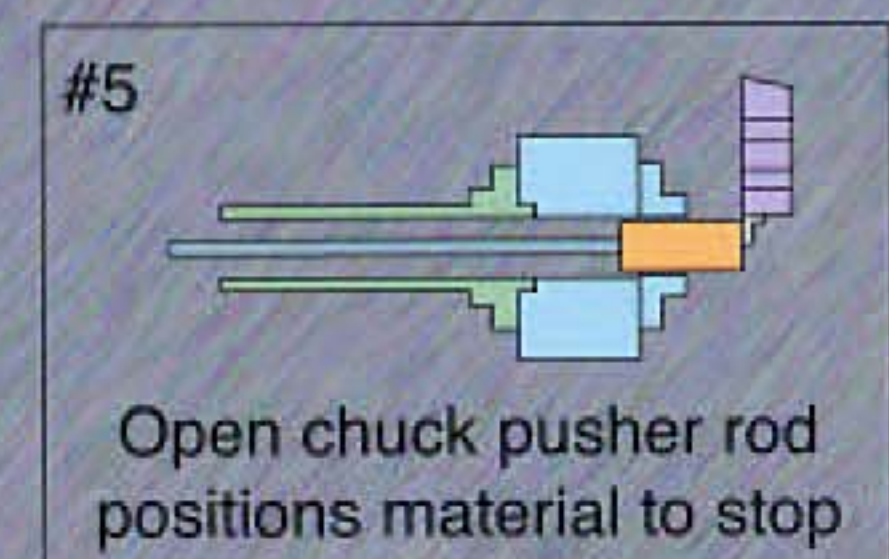
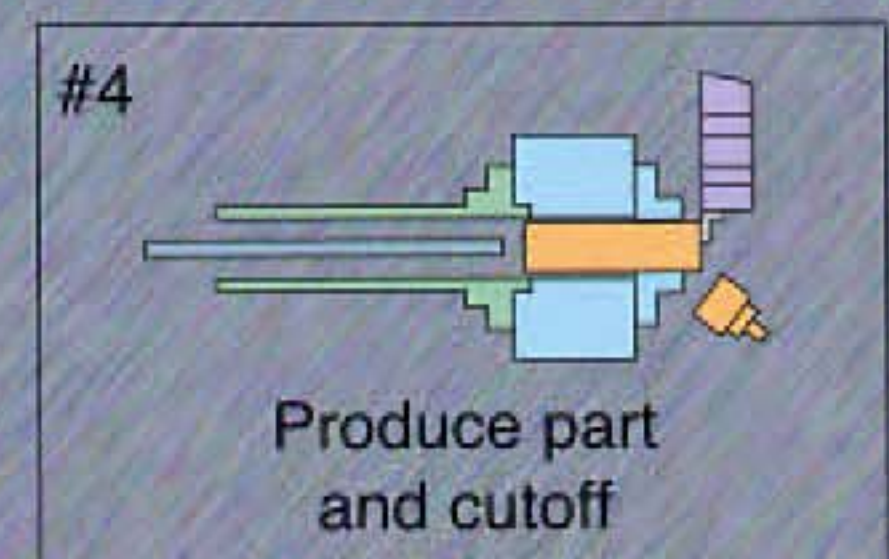
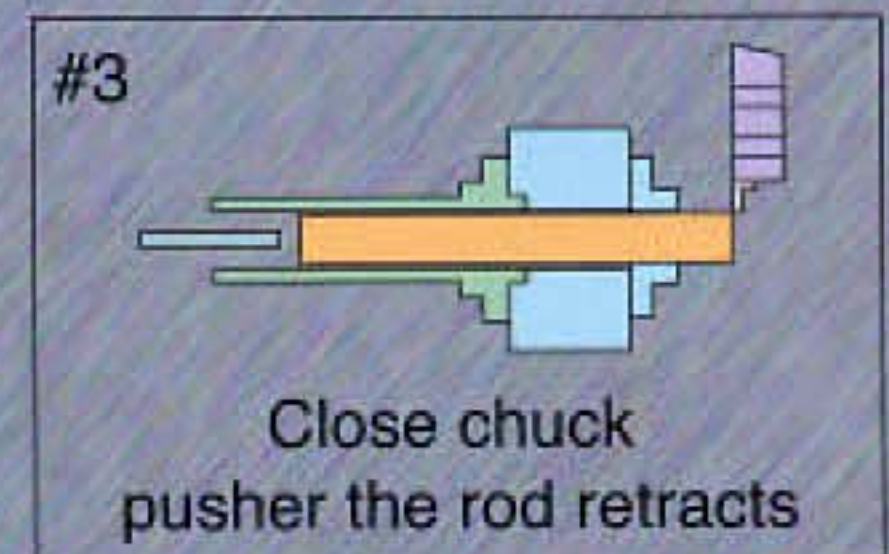
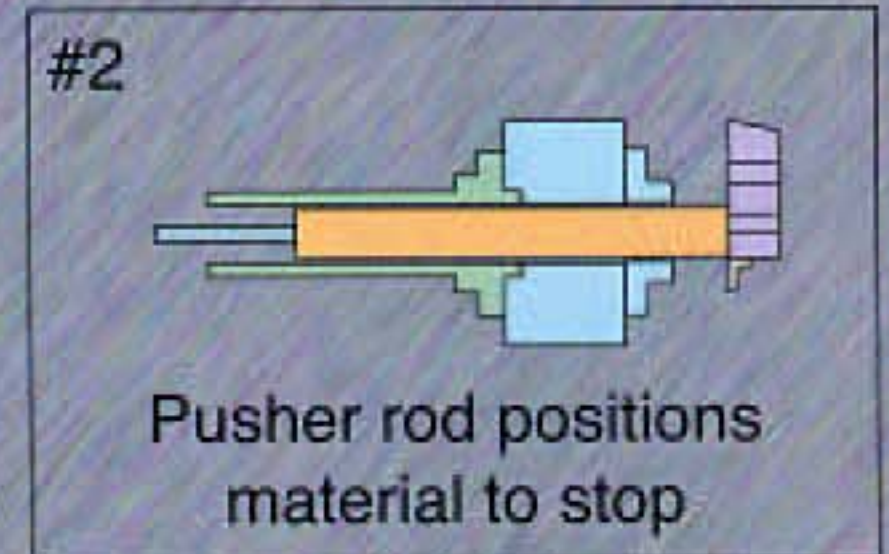
- No special requirements or restrictions on material straightness
- Material rotates within machining area and spindle length of lathe
- Lathe spindle speed can be maximized
- Material can be round, hexagonal, shaped
- Material length can be uniform or random
- Easy to operate and maintain
- Small footprint

ALARM

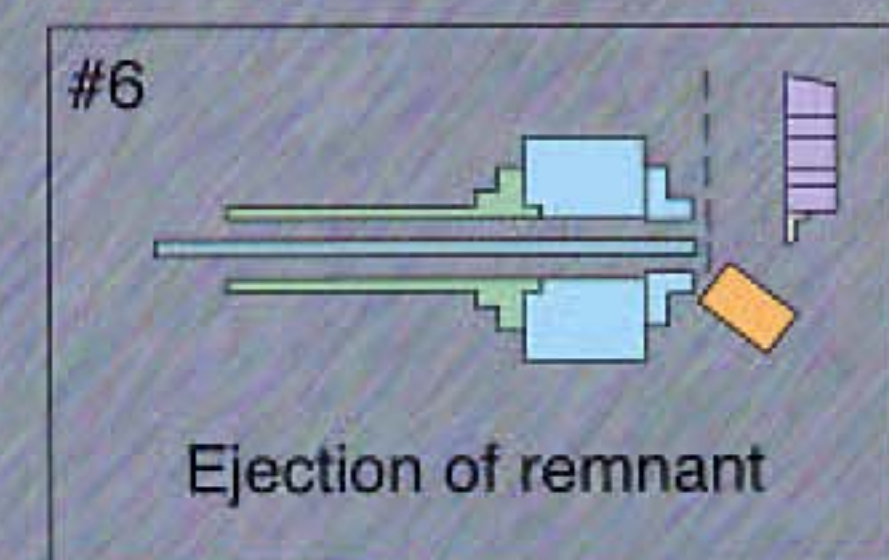
- SHORTEST OR LONGEST LENGTH
- CNC ALARM
-
-
- CNC CLAMP IS STILL CLOSED, AFTER MATERIAL EXCHANGE
- AIR PRESSURE IS NOT ENOUGH
-
-
- NO MATERIAL ON FRAME
- CNC IS UNABLE TO START AFTER MATERIAL EXCHANGE



WORKING CYCLE



Continue steps 3,4,5 until all available material is used



Return to step #1

Model	V-65E	V-65LE
Diameter of bar	$\phi 1\frac{3}{64}'' \sim \phi 2\frac{9}{16}'' / \phi 5\text{mm} \sim \phi 65\text{mm}$	
Length of bar	max.48" / 1200mm	max.60" / 1500mm
Spindle height	$36\frac{7}{32}'' \sim 51\frac{1}{8}'' / 920\sim 1300\text{mm}$	
Magazine capacity	25 $\frac{5}{8}''$ 10 bar $\phi 2\frac{9}{16}'' / 650\text{mm}$ 10 bar $\phi 65\text{mm}$	
Weight	463 Lbs / 210 Kgs	551 Lbs / 240Kgs
Air supply	5 ~ 7 kg/cm ²	
Power supply	220 / 380V 0.4A 50/60Hz	
Pusher Rods (3-standard)	$1\frac{5}{64}'' \sim \frac{1}{2}'' \sim \frac{3}{4}'' / 6\text{mm} \sim 12.7\text{mm} \sim 19\text{mm}$ (Storage bracket for 2 pushers located under material tray when not in use)	

Design and specifications are subject to change without prior notice.

MTA INTERNATIONAL

11675 Chesterdale Rd.
Cincinnati, OH 45246
Phone: 513-772-4004
Fax: 513-772-4115

1-800-305-0760
www.barfeeder.com