

MTA

INTERNATIONAL
Bar Feeding Systems

SUPER 80 Magazine Bar Loading System



FEATURES:

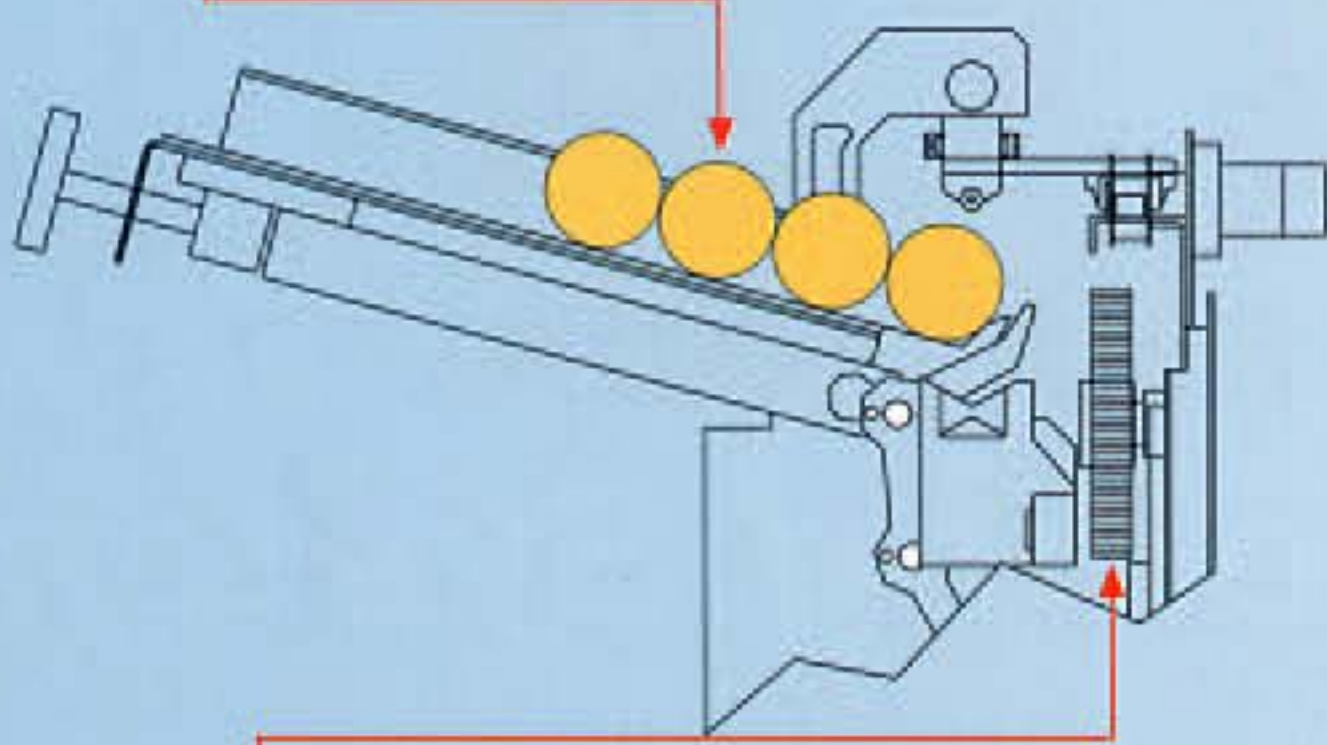
- Material Feeding With Servo Drive
- Accurate Positioning With or Without Turret Stop
- Shock Free Magazine Bar Loading
- Programmed Automatic Diameter Adjustment
- Up to 100 Different Job Settings in Memory
- Minimum Setup Time

CAPACITY:

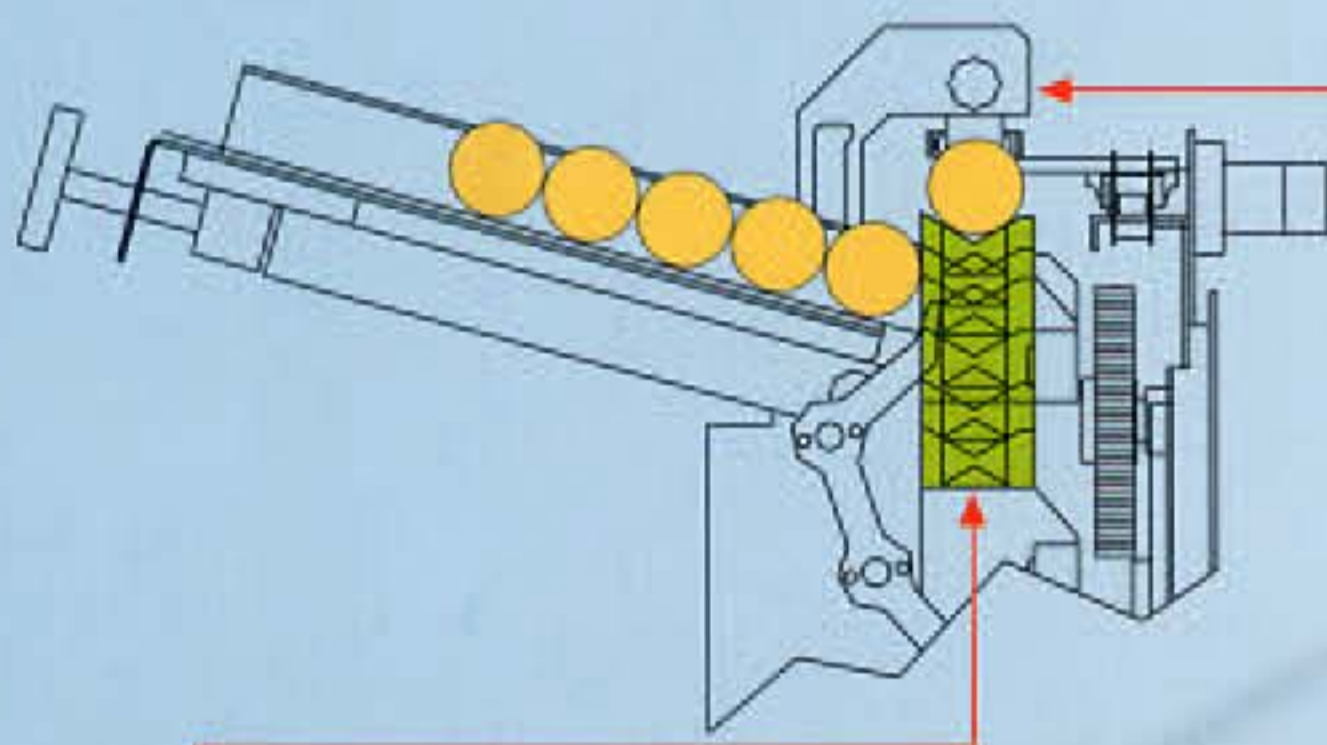
- Diameter 1/4" to 3 1/8"
- Length: Up to 60"

EFFICIENCY
ECONOMY
RQUALITY
RELIABILITY

Material Rack

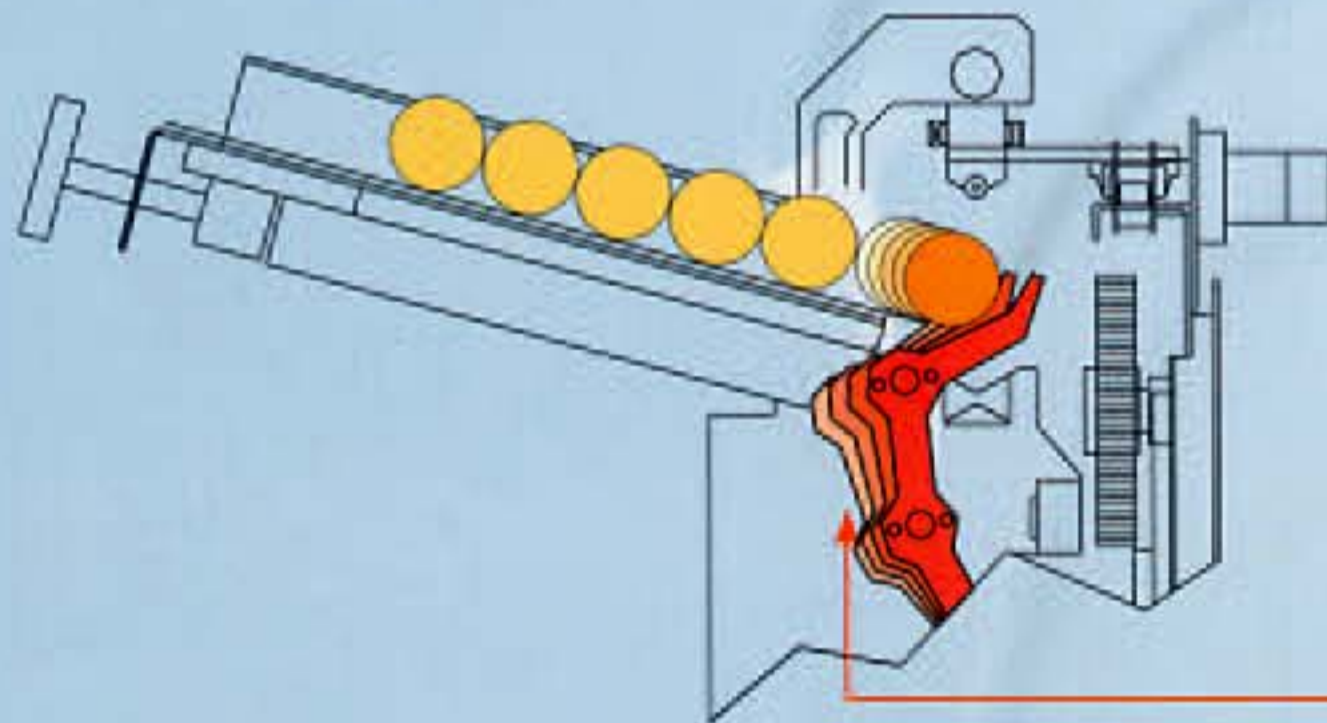


Unique Patented Mechanism

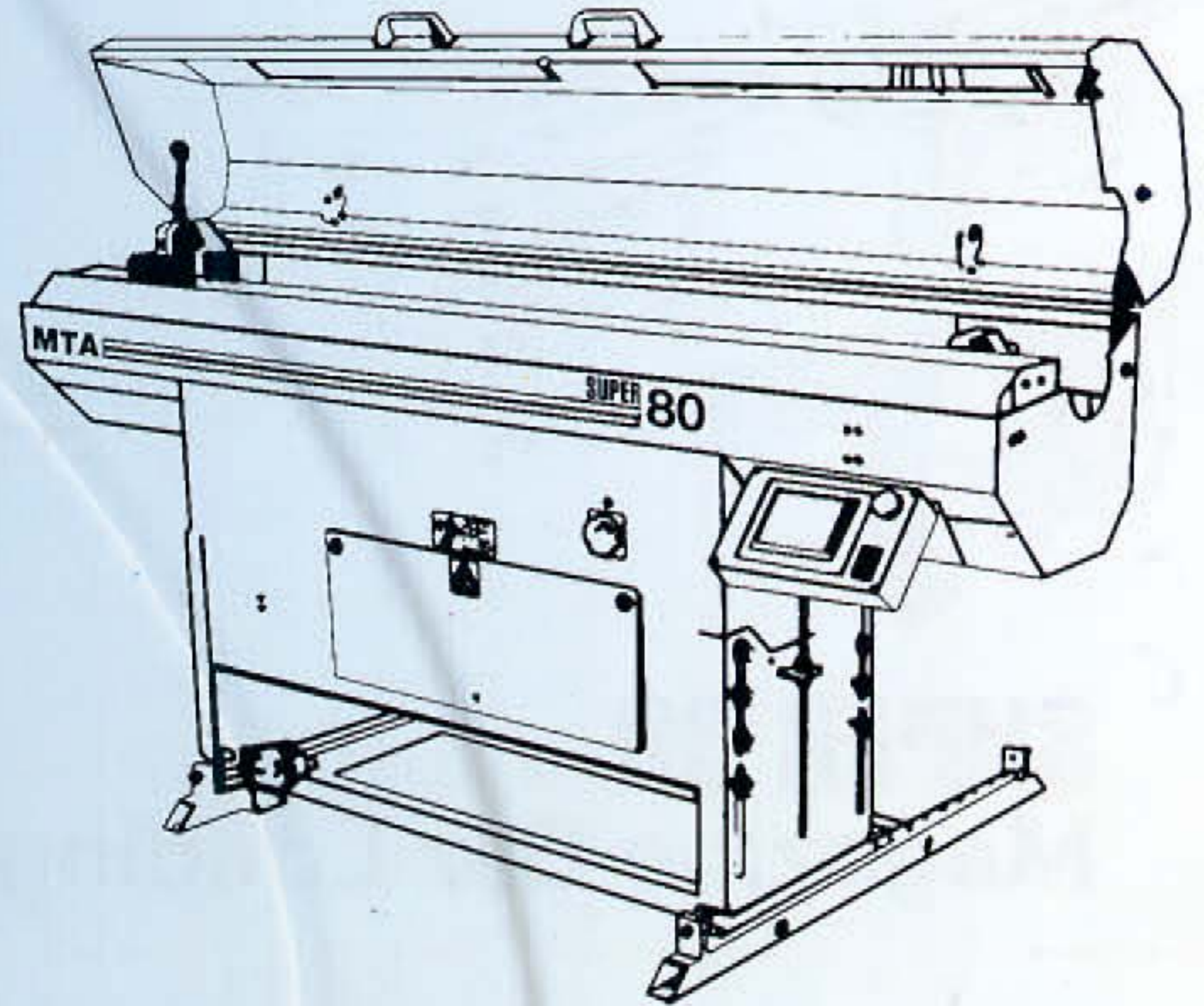


Positioning Bar To The Spindle Center

Quick & Soft Bar Loading



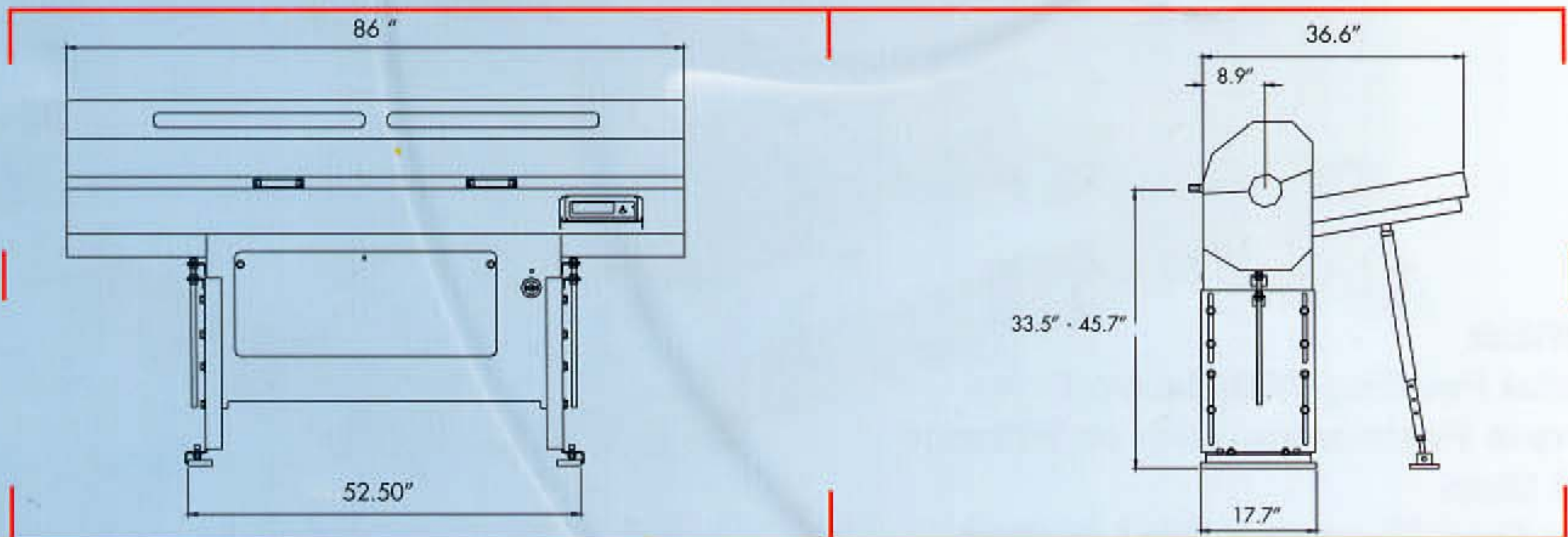
Shock Free



CAPACITY

BAR DIAMETER	Round Bar	1/4" - 3 1/8"
	Hexagonal	1/4" - 2 3/4"
BAR LENGTH	Max:	61"
	BAR WEIGHT	Max:
OPERATION	Bar Feeding	Servo Drive
		Guide Way Supported Belt Drive
ACCURACY	Bar Loading	Geared Motor
	First Infeed	±.020"
PUSHERS	Feeding	± .004"
	Standard (3)	5/16", 1/2", 11/16"
OPERATOR PANEL	Touch Screen Panel	

GENERAL DIMENSIONS



MTA INTERNATIONAL

MTA

MTA International Inc.
 11675 Chesterdale Rd.
 Cincinnati, OH 45246
 Phone: 513-772-4004
 Fax: 513-772-4115

1-800-305-0760
www.mta-international.com/barfeeder.com